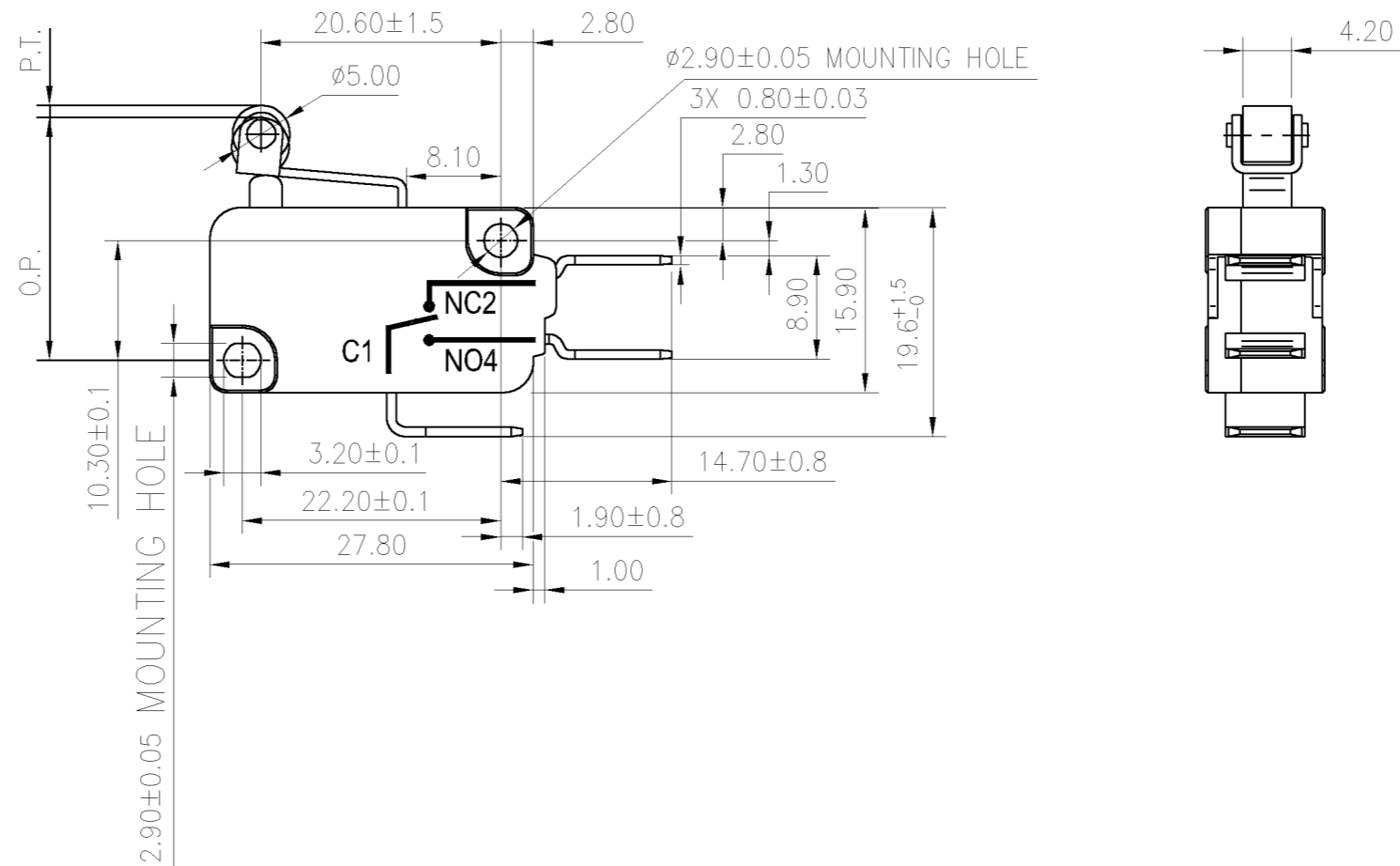
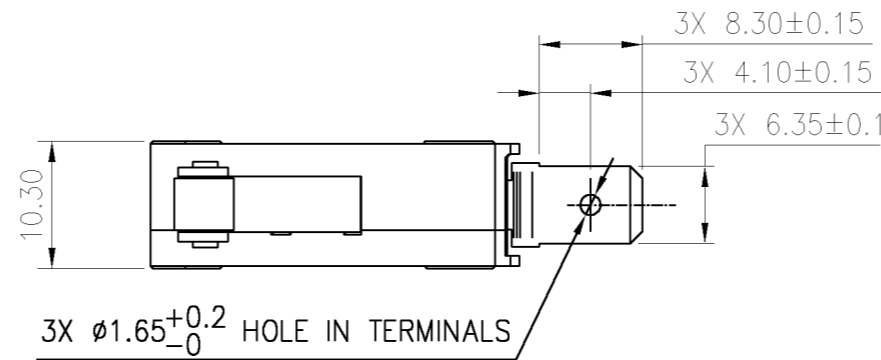


HONEYWELL PART NUMBER
V15H16-CZ300A05-K
PRODUCT CODE
CFW2066

REV	DOCUMENT	CHANGED BY	CHECK
A	0038670	VS 10APR08	BLR



NOTES:

1. TERMINALS WILL ACCEPT 6.35mm WIDE QUICK CONNECT RECEPTACLES AND COMPLY WITH EN61058-1 REQUIREMENTS.

CHARACTERISTICS		ELECTRICAL DATA		DESIGN UNITS: MM		DRAWN		KSR		01APR08		Honeywell															
OPERATING FORCE: 350gf MAX.		CONTACT ARRANGEMENT		TOLERANCES UNLESS NOTED:		CHECK		RJ		01APR08						TITLE											
DIFFERENTIAL FORCE:		S.P.D.T		ND PLACE X ± ±		THIS DRAWING COVERS A PROPRIETARY ITEM		Interpret per ASME Y14.5M-1994 OTHER HONEYWELL ENGINEERING STANDARDS MAY APPLY		SIZE		TYPE		CAGE CODE		DRAWING NAME		REV									
RELEASE FORCE: 60gf MIN.		16(4)A 250V~		ONE PLACE .X ± ±		THIS DRAWING IS NOT TO BE COPIED OR USED														B		I		V15H16-CZ300A05-K		A	
FREE POSITION:		25T150 µ 5E4		TWO PLACE .XX ± ± 0.40		WITHOUT THE PERMISSION OF HONEYWELL.														SCALE		NTS		SHEET		1 OF 1	
OPERATING POSITION: 20.6±0.8MM.		16A 1/2HP 125/250VAC		THREE PLACE .XXX ± ±		INTERPRET PER ASME Y14.5M-1994		AutoCAD																			
PRE-TRAVEL: 1.6MM MAX.				ANGLES X ± ± 2°		OTHER HONEYWELL ENGINEERING																					
DIFFERENTIAL TRAVEL: 0.4MM MAX.				THIRD ANGLE PROJECTION		STANDARDS MAY APPLY																					
OVER-TRAVEL: 0.8MM MIN.																											
FULL OVERTRAVEL FORCE:																											